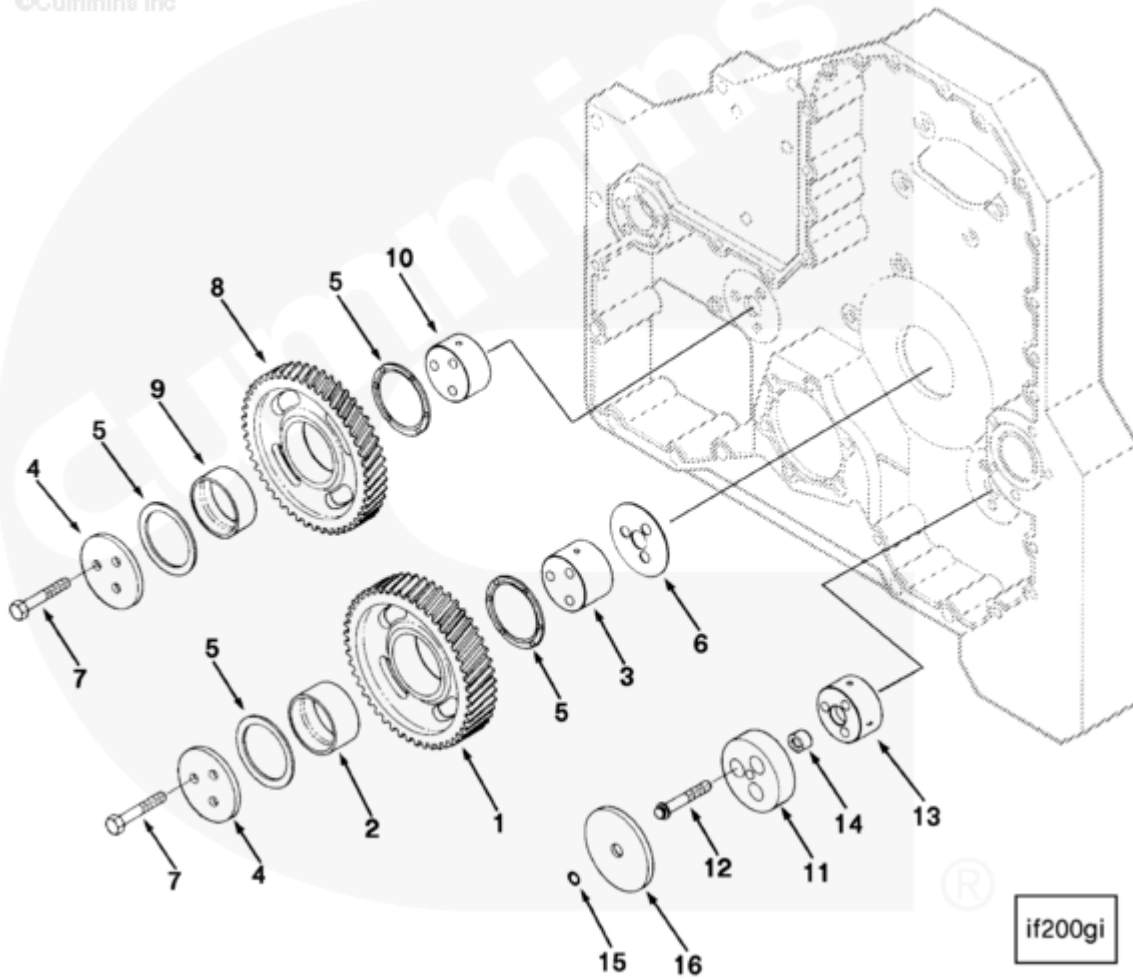




Parts Catalog - Option Detail

Electronic Parts Catalog - Option Detail				
Option	Group	Graphic	Film Card	Date
BB2712-03	01.07.1	if200gi	II	19-OCT-09
Engines	ISM CM570, ISM CM570/870, ISM CM875, ISM CM876, ISM CM876 E, ISM11 CM876 M103, ISM11 CM876 SN, M11 CELECT, M11 CELECT PLUS, M11 MECHANICAL, QSM11 CM570, QSM11 CM876			

©Cummins Inc



[SMALL](#) | [MEDIUM](#) | [LARGE](#)

Cart	Ref No	Part Number	Part Description	Required	Remarks
View My Cart					
		BB2712-03	Idler Gears		
					Idler Gears
					Adapter Flange Size: No
					Future Adaptation

<input type="checkbox"/>		3084532	Idler Gear	1	
	1	3084447	Idler Gear	1	
<input type="checkbox"/>	2	3026188	Bushing	1	
<input type="checkbox"/>	3	3026166	Idler Shaft	1	
<input type="checkbox"/>	4	3026233	Gear Retainer	1	
<input type="checkbox"/>	5	2868820	Thrust Bearing	2	
<input type="checkbox"/>	6	3088161	Thrust Bearing Wear Plate	1	
<input type="checkbox"/>	7	3088162	Hexagon Head Cap Screw	3	M10 x 1.50 x 60
<input type="checkbox"/>		3084533	Idler Gear	1	
	8	3084448	Idler Gear	1	
<input type="checkbox"/>	9	3026189	Bushing	1	
<input type="checkbox"/>	4	3026233	Gear Retainer	1	
<input type="checkbox"/>	5	2868820	Thrust Bearing	2	
<input type="checkbox"/>	7	3088162	Hexagon Head Cap Screw	3	M10 x 1.50 x 60
<input type="checkbox"/>	10	3026167	Idler Shaft	1	
<input type="checkbox"/>	11	2868940	Gear Retainer	1	
<input type="checkbox"/>	12	3045853	Twelve Point Cap Screw	3	M10 X 1.50 X 70.
<input type="checkbox"/>	13	3882902	Hydraulic Pump Spacer	1	
<input type="checkbox"/>	14	3026231	Ring Dowel	1	
<input type="checkbox"/>	15	3883510	Rectangular Ring Seal	1	
<input type="checkbox"/>	16	3882513	Mounting Spacer	1	